

4

3

2

1

F

F

E

E

D

D

C

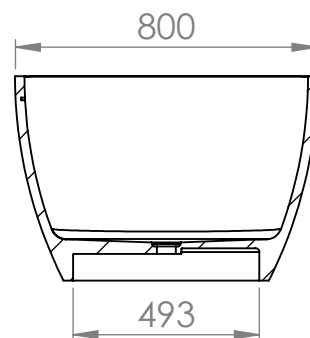
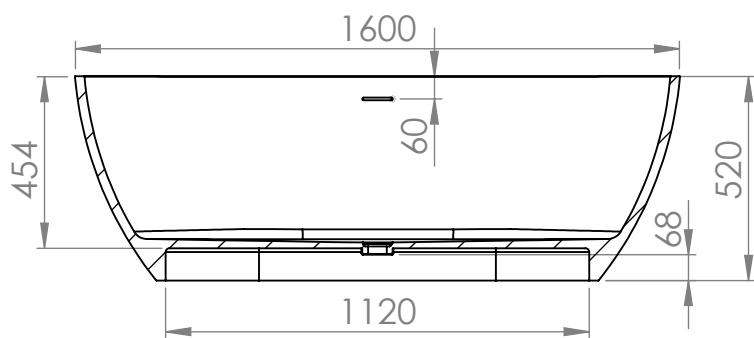
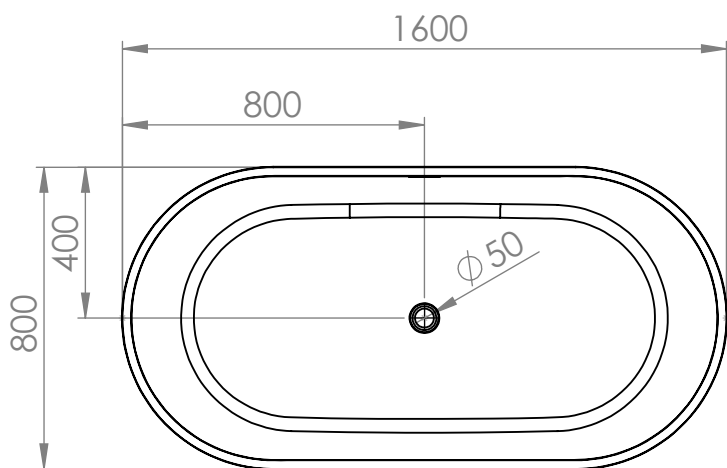
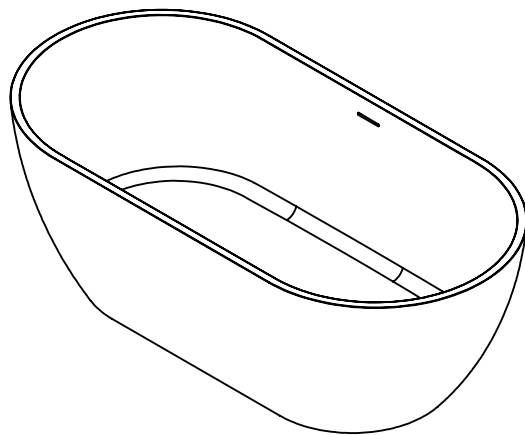
C

B

B

A

A



UNLESS OTHERWISE SPECIFIED:  
 DIMENSIONS ARE IN MILLIMETERS  
 SURFACE FINISH:  
 TOLERANCES:  
 LINEAR:  
 ANGULAR:

FINISH:

DEBURR AND  
 BREAK SHARP  
 EDGES

DO NOT SCALE DRAWING

REVISION

|        | NAME | SIGNATURE | DATE |
|--------|------|-----------|------|
| DRAWN  |      |           |      |
| CHK'D  |      |           |      |
| APPV'D |      |           |      |
| MFG    |      |           |      |
| Q.A    |      |           |      |

TITLE:

Marike®

DWG NO.

YL6062

A4

MATERIAL:

WEIGHT:

SCALE:1:20

SHEET 1 OF 1

4

3

2

1